

# DLF-106R

## 6" NON-IC Vertical Remodel Housing For

### 13W, 18W, 26W, 32W or 42W DTT/TTT Lamps

Catalog #		Type
Project		Date
Prepared by		

**FLUORESCENT**

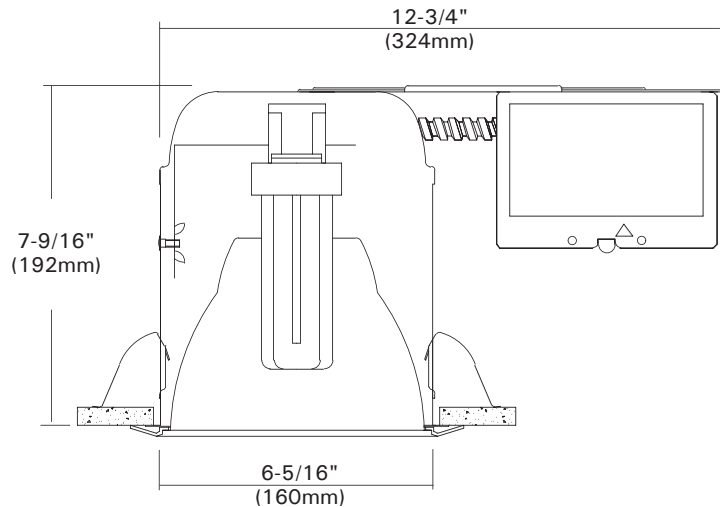


#### DESCRIPTION

The DLF-106R is a 6" aperture remodel housing for (1) vertical CFL lamps.

#### APPLICATION

The DLF-106R is designed for use in both non-insulated and insulated existing ceilings. Insulation material must be kept a minimum of 3" from all sides of the housing. The DLF-106R offers a wide choice of trim types including reflector, lensed and wall wash trims.



#### DESIGN FEATURES

Ceiling Cut-out : 6-3/8"  
Lamp, Max, Watt. : 42W

##### ◦ Housing

- Galvanized steel housing.
- 6-5/16" height allows use in 2" x 8" joist construction.
- Housing adjusts for ceilings up to 1/2" thick.

##### ◦ Junction Box

- Listed for through branch circuit wiring. (Max. 8 No 12 AWG 90°C branch circuit conductors. (4 in, 4 out)
- (5) 1/2" knockouts with true pry-out slots and (4) knockouts with Romex cable clamp.
- Ground wire provided on J-box.

##### ◦ Reflector

- Anodized clear, haze, gold, champagne, pewter color finished full reflectors. And anodized reflectors with black or white milled groove baffle collar.

##### ◦ Trim

- White plastic ring or plated chrome, satin nickel, polished brass, natural steel color ring.

##### ◦ Socket

- G24Q/GX24Q socket for use 4 pin DTT, TTT lamps.

##### ◦ Remodel Clips

- 3 remodel clips secure housing and accommodates 1/2" and 5/8" ceiling materials.

##### ◦ Lamp

- Compact Fluorescent lamps.
  - \* DTT-Double twin tube (Quad/CFQ)
    - (1) 13W DTT (4 pin)
    - (1) 18W DTT (4 pin)
    - (1) 26W DTT (4 pin)
  - \* TTT-Triple Twin Tube (CFTR)
    - (1) 18W TTT (4 pin)
    - (1) 26W TTT (4 pin)
    - (1) 32W TTT (4 pin)
    - (1) 42W TTT (4 pin)

##### ◦ Ballast

- Class P Thermally protected by internal fuse (3 amp fast blow), Multi-volt electronic ballast or thermal switch in magnetic ballast.
- High Power Factor Multi-volt Electronic ballasts for 4 pin type compact fluorescent lamps or Magnetic ballast for 2 pin lamps mounted on J-box door for easy access from inside of fixture.

##### \* Listing

- UL, c-UL listed for damp location.
- UL, c-UL listed for feed through.

##### ◦ Optional "Quick Connect" Push-in wire connectors.

- Three "Quick Connectors"
- Pre-installed push-in wire connectors for fast and easy wiring.

#### Ordering Information

Housing	Ballast	Lamp(s) Watt.	Option
DLF-106R	-N : 120V NPF Magnetic -H : 120V HPF Magnetic -NE : 120V NPF Electronic -HE : 120V HPF Electronic -E : 120V/277V HPF Electronic	113 : (1)13W 132 : (1)32W 118 : (1)18W 142 : (1)42W 126 : (1)26W	-EM : Emergency w/ Remote Test Switch -C : Quick Connectors

Example : DLF-106R-NE113

# Trims

## 6" Compact Fluorescent Trims For

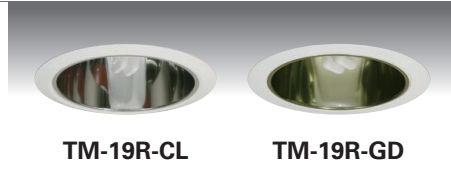
DLF-106, DLF-106R, ICF-106A, ICF-106A-GU24, ICF-106RA

Catalog #		Type
Project		Date
Prepared by		

### FLUORESCENT

#### TM-19R

**Specular Reflector**  
**NON-IC : 32W TTT**  
**ICF-106A-GU24 : 13W GU24**  
 White Plastic Trim Ring  
 O.D : 7-1/2"

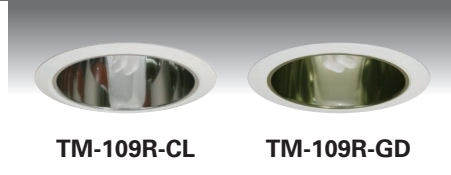


**TM-5P**  
**TM-15P(-A) (w/ Reflector)**  
**Shower Fresnel lens**  
**NON-IC : 26W TTT**  
**IC : 18W DTT, TTT**  
**ICF-106A-GU24 : 13W GU24**  
 White Lexan Trim Ring  
 O.D : 8-1/8"



#### TM-109R/109R-A

**Specular Reflector**  
**NON-IC : 32W TTT**  
**IC : 26W DTT, TTT**  
**ICF-106A-GU24 : 13W GU24**  
 White Plastic Trim Ring  
 O.D : 7-1/2"

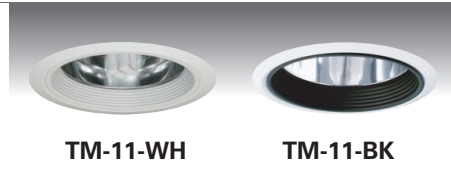


**TM-6P**  
**TM-16P(-A) (w/ Reflector)**  
**Shower Drop Opal Lens**  
**NON-IC : 26W TTT**  
**IC : 18W DTT, TTT**  
**ICF-106A-GU24 : 13W GU24**  
 White Lexan Trim Ring  
 O.D : 8-1/8"



#### TM-11/11-A

**Baffle w/ Clear Reflector**  
**NON-IC : 32W TTT**  
**IC : 26W DTT, TTT**  
**ICF-106A-GU24 : 13W GU24**  
 White Plastic Trim Ring  
 O.D : 7-1/2"

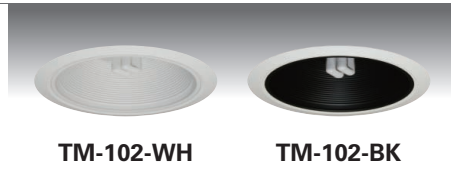


**TM-7P**  
**TM-17P(-A) (w/ Reflector)**  
**Shower Albalite Lens**  
**NON-IC : 26W TTT**  
**IC : 18W DTT, TTT**  
**ICF-106A-GU24 : 13W GU24**  
 White Lexan Trim Ring  
 O.D : 8-1/8"



#### TM-102-SP(-A)

**Cone Baffle w/ Torsion Springs**  
**NON-IC : 32W TTT**  
**IC : 26W DTT, TTT**  
**ICF-106A-GU24 : 13W GU24**  
 White Plastic Trim Ring  
 O.D : 7-1/2"

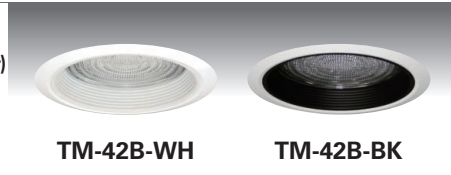


**TM-102F-SP(-A)**  
**Cone Baffle w/ Torsion Springs**  
**NON-IC : 32W TTT**  
**IC : 26W DTT, TTT**  
**ICF-106A-GU24 : 13W GU24**  
 Self Flanged Baffle  
 O.D : 7-1/2"



#### TM-42B TM-1916B-A (w/ Reflector)

**Baffle w/ Fresnel Lens**  
**NON-IC : 26W TTT**  
**IC : 18W DTT, TTT**  
 White Plastic Trim Ring  
 O.D : 7-1/2"



**TM-1917/1917-A**  
**Reflector w/ Frosted Drop Lens**  
**NON-IC : 32W TTT**  
**IC : 26W DTT, TTT**  
 White Metal Trim Ring  
 O.D : 7-1/4"



#### TM-42R TM-1916R-A (w/ Reflector)

**Reflector w/ Fresnel Lens**  
**NON-IC : 26W TTT**  
**IC : 18W DTT, TTT**  
 White Plastic Trim Ring  
 O.D : 7-1/2"



**TM-1054/1054-A**  
**Reflector w/ Wall Wash**  
**NON-IC : 32W TTT**  
**IC : 26W DTT, TTT**  
 White Plastic Trim Ring  
 O.D : 7-1/4"



Noted.

(-A) is for snap-in socket hole on the top of reflector

### ORDERING INFORMATION

Choose the catalog / finish codes that best suit your needs and enter it on the appropriate line.

TRIM MODEL	REFLECTOR	BAFFLE	METAL RING
	CL : Clear	WH : White	WH : White
	WH : White	BK : Black	BK : Black
	GD : Gold	SN : Satin Nickel	SN : Satin Nickel
	MA : Matte Platinum	AN : Antique Nickel	AN : Antique Nickel
	CP : Champagne	AC : Antique Copper	AC : Antique Copper
	PR : Pewter	MO : Mocha	MO : Mocha
	HC : Haze Clear	CA : Cappuccino	CA : Cappuccino
		CH : Chrome	CH : Chrome
		UN : Natural Steel	UN : Natural Steel
		PB : Polished Brass	PB : Polished Brass

Examples:

TM-19R-CL-WP = White Trim Ring w/ Clear Reflector  
 TM-5P-WH = Fresnel Lens w/ White Lexan Ring  
 TM-11-BK-WP = Black Baffle w/ Clear Reflector

◆ Available with metal rings (7-1/2" O.D).

◆ All trims are damp location, Lens trims are wet location listed.

#### PLASTIC RING OPTIONS

WS : 7-1/4" O.D (White)

WO : 7-7/8" O.D (White)